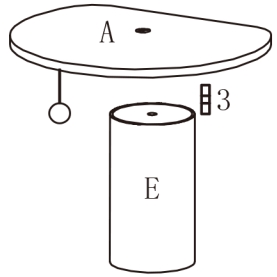
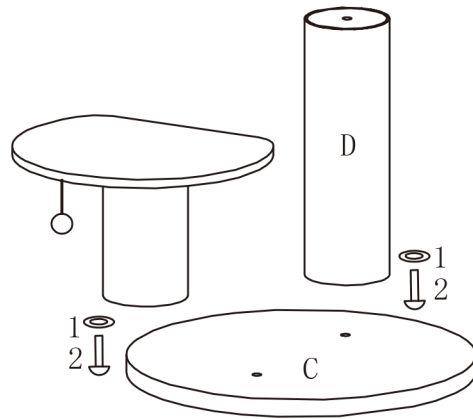


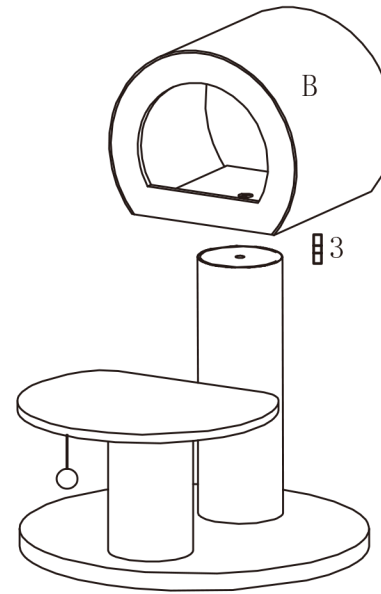
①



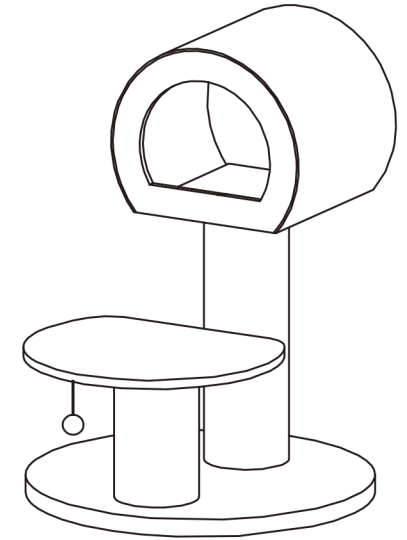
②



③



④



1X



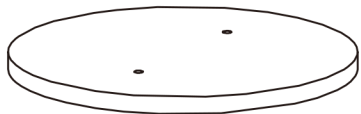
A

1X



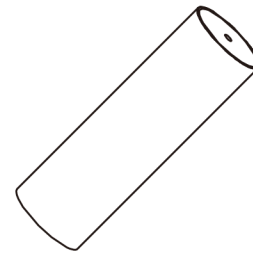
B

1X



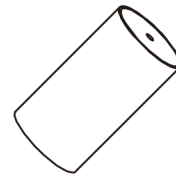
C

1X




D 19*61cm D


1X



D 19*30cm E

2X  D40mm (1)

2X  D10*60mm (2)

2X  D10*44mm (3)

1X

